

H-TV-300 Series

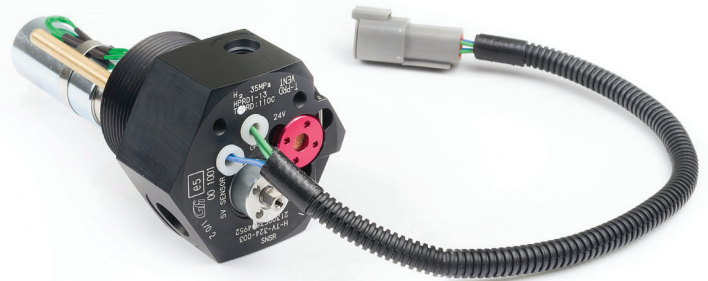
HEAVY DUTY 2" CRASHWORTHY INTERNAL SOLENOID TANK VALVE

Key Features

Innovative tank valve that mounts the solenoid inside the tank to protect it from external impact and risk of corrosion/environmental exposure.

Temperature sensor mounted inside the tank for fuel dispenser feedback and fuel gauge accuracy. Also includes integrated PRD, manual shutoff valve and check valve function.

- More than 20 years of service experience in OEM applications
- In-tank solenoid for improved crashworthiness and environmental protection
- 12 V and 24 V solenoid options
- Nominal working pressure of 35 MPa
- Working temperature -40 °C to +85 °C
- 2" tank neck geometry
- Pipe away TPRD, 110 +/- 5 °C
- Integrated solenoid and manual shutoff valves, temperature sensor, PRD and check valve function
- Light-weight aluminum design
- Two I/O ports and pressure sensor port
- Optional port configurations, EFV module and Filter module
- Compliant/approved to HPRD1, EC 79, and GB 35544; ECE R134 pending



SPECIFICATIONS

H-TV-300 Series

GENERAL INFORMATION

| | | |
|----------------------------------|--------------------------------------|--|
| APPLICATION | Hydrogen 2" Tank Valve 2" | |
| DESIGN | Automatic valve, internal solenoid | |
| BODY MATERIAL | Aluminum, anodized | |
| FUEL TYPE | Hydrogen per SAE J2719 and ISO 14687 | |
| NOMINAL WORKING PRESSURE | 35 MPaG | |
| MAX WORKING PRESSURE | 43.8 MPaG | |
| WORKING TEMPERATURE | -40 °C to +85 °C | |
| FLOW COEFFICIENT (Cv) | Fueling and defueling: > 0.5 | |
| T-PRD OPERATION | 110 +/- 5 °C | |
| T-PRD ORIFICE | up to 5.7 mm equivalent diameter | |
| CHECK VALVE FUNCTION (FILL PATH) | Opening Pressure < 0.3 MPa | |

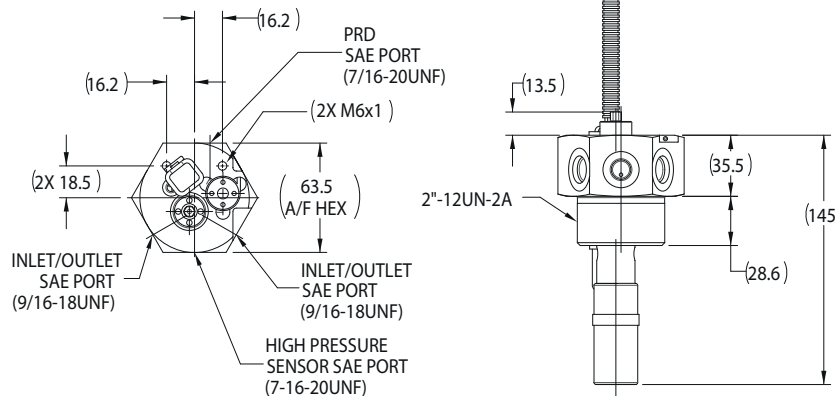
ELECTRICAL

| | | |
|----------------------------------|-------------------|--------|
| COIL NOMINAL VOLTAGE | 12 V | 24 V |
| NOMINAL COIL RESISTANCE AT 20 °C | 19.2 Ω | 71.8 Ω |
| COIL NOMINAL POWER AT 20 °C | 7.5 W | 8 W |
| THERMISTOR R25C | 2,700 ohms +/- 2% | |
| THERMISTOR TYPE | NTC | |

CONNECTIONS / OPTIONS / CERTIFICATIONS

| | | |
|---------------------------|--|--|
| ELECTRICAL CONNECTOR | Mating Connector: Deutsch DTM 06-4S; Others possible | |
| CYLINDER CONNECTION | 2-12 UNF-2B | |
| INLET / OUTLET PORT TYPE | 9/16-18 UNF-2B | |
| TPRD VENT PORT TYPE | 7/16-20 UNF-2B | |
| PRESSURE SENSOR PORT TYPE | 7/16-20 UNF-2B | |
| OPTIONS | A) Deletion of 1 x inlet/outlet port & pressure sensor port; B) Excess Flow Valve (EFV) module; C) Excess Flow Valve (EFV) + Filter module | |
| CERTIFICATIONS | EC79, HPRD1, GBT 35544, ECE R134 Pending | |

STANDARD HARNESS LENGTH = 165
TO BASE OF CONNECTOR
STANDARD CONNECTOR = DEUTSCH DTM 04-4P
(OTHER LENGTHS AND CONNECTOR POSSIBLE)



VARIANT WITH INLET/OUTLET PORT 1 AND
PRESSURE SENSOR PORT REMOVED AVAILABLE



IATF 16949:2016 registered
a Westport Fuel Systems company

